

Part number:

High-pressure non-return valves

Flow direction from threaded stud

Male thread: BSPP thread, cylindrical

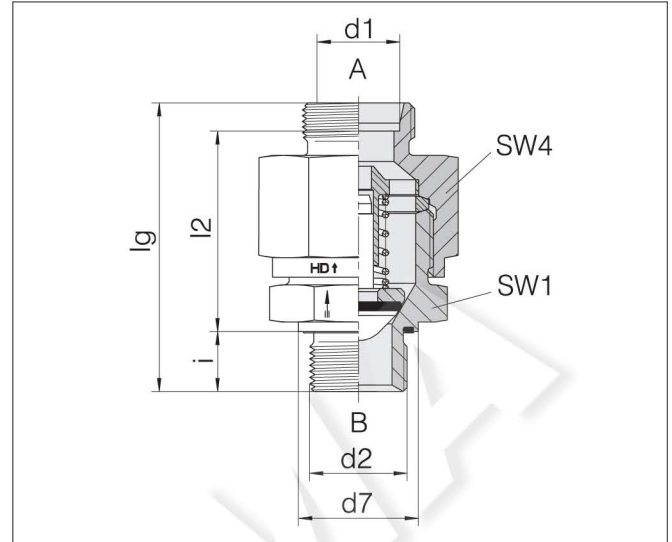
Threaded stud: ISO 1179-2 Form E

Sealing type: Profile sealing ring PEFLEX

Sealing material: Standard NBR

Tube coupling: 24° in acc. with ISO 8434-1

Opening pressure 1 bar



Series	d2	Pressure	lg	d7	l2	SW1	SW4	i	Nm	kg/100	Order-No.	Designation	
Tube OD									-10 %	ca.			
d1													
L	6	G 1/8 A	PN 400	45	13.9	30	17	19	8	20	6.2	1602302081	24-VNROPTHP-L6-G1/8E
L	8	G 1/4 A	PN 400	51	18.9	32	19	22	12	50	8.5	1602312081	24-VNROPTHP-L8-G1/4E
L	10	G 1/4 A	PN 400	53	18.9	34	22	24	12	50	10.4	1602322081	24-VNROPTHP-L10-G1/4E
L	12	G 3/8 A	PN 400	58	21.9	39	27	30	12	80	17.2	1602332081	24-VNROPTHP-L12-G3/8E
L	15	G 1/2 A	PN 400	62	26.9	41	30	32	14	100	22.1	1602342081	24-VNROPTHP-L15-G1/2E
L	18	G 1/2 A	PN 400	67	26.9	45.5	36	36	14	100	29.4	1602352081	24-VNROPTHP-L18-G1/2E
L	22	G 3/4 A	PN 250	77	31.9	53.5	41	46	16	180	51.9	1602362081	24-VNROPTHP-L22-G3/4E
L	28	G 1 A	PN 250	85.5	39.9	60	50	55	18	230	83.3	1602372081	24-VNROPTHP-L28-G1E
L	35	G 1 1/4 A	PN 250	97.5	49.9	67	60	65	20	330	126.3	1602382081	24-VNROPTHP-L35-G1 1/4E
L	42	G 1 1/2 A	PN 250	98.5	54.9	65.5	65	70	22	500	143.5	1602392081	24-VNROPTHP-L42-G1 1/2E
S	6	G 1/4 A	PN 420	51	18.9	32	19	19	12	60	7.8	1602402081	24-VNROPTHP-S6-G1/4E
S	8	G 1/4 A	PN 420	51	18.9	32	19	19	12	60	7.7	1602412081	24-VNROPTHP-S8-G1/4E
S	10	G 3/8 A	PN 420	56.5	21.9	37	22	24	12	90	13.1	1602422081	24-VNROPTHP-S10-G3/8E
S	12	G 3/8 A	PN 420	58	21.9	38.5	24	27	12	90	15.9	1602432081	24-VNROPTHP-S12-G3/8E
S	16	G 1/2 A	PN 420	67	26.9	44.5	32	36	14	150	28.9	1602452081	24-VNROPTHP-S16-G1/2E
S	20	G 3/4 A	PN 420	77	31.9	50.5	41	41	16	200	46.6	1602462081	24-VNROPTHP-S20-G3/4E
S	25	G 1 A	PN 420	88.5	39.9	58.5	46	50	18	250	76.1	1602472081	24-VNROPTHP-S25-G1E
S	30	G 1 1/4 A	PN 250	94	49.9	60.5	55	60	20	500	114.7	1602482081	24-VNROPTHP-S30-G1 1/4E
S	38	G 1 1/2 A	PN 250	103.5	54.9	65.5	65	70	22	600	160.5	1602492081	24-VNROPTHP-S38-G1 1/2E