

Part number:

HYDROMA

HYDRAULICKÉ SYSTÉMY

**HIDROMA
SYSTEMS**

UKŁADY HYDRAULICZNE

HYDROMA

ГИДРАВЛИЧЕСКИЕ СИСТЕМЫ

Manifolds

RE 18325-85/01.24
Replaces: 05.23

Standard manifolds common cavity
Standard manifolds special cavity
Manifolds with emergency screw
Manifolds with SUN cavity
Manifolds with Rexroth special cavity



General specifications

- | | |
|--|--------------------|
| • Max operating pressure for steel body: | 350 bar (5000 psi) |
| • Max operating pressure for high pressure steel body: | 500 bar (7250 psi) |
| • Max operating pressure for aluminium body: | 210 bar (3000 psi) |

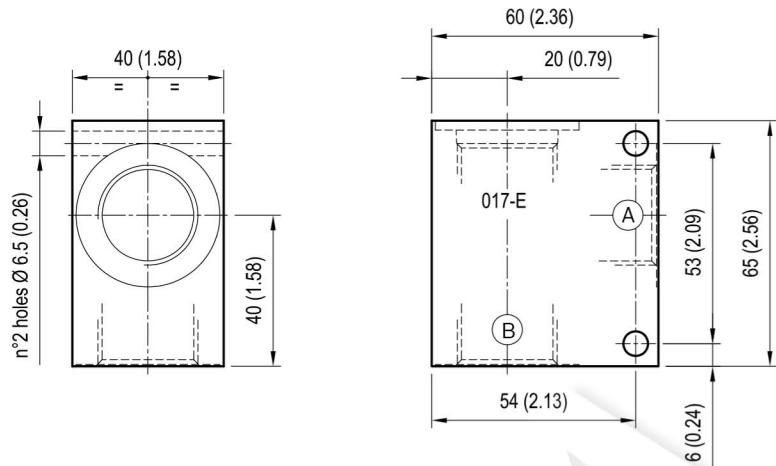
Note: aluminium bodies are often strong enough for operating pressures exceeding 210 bar (3000 psi), depending from the fatigue life expected in the specific application. If in doubt, consult our Service Network.

Standard manifolds - Special cavity

Aluminium / Steel

CAVITY: 017-E

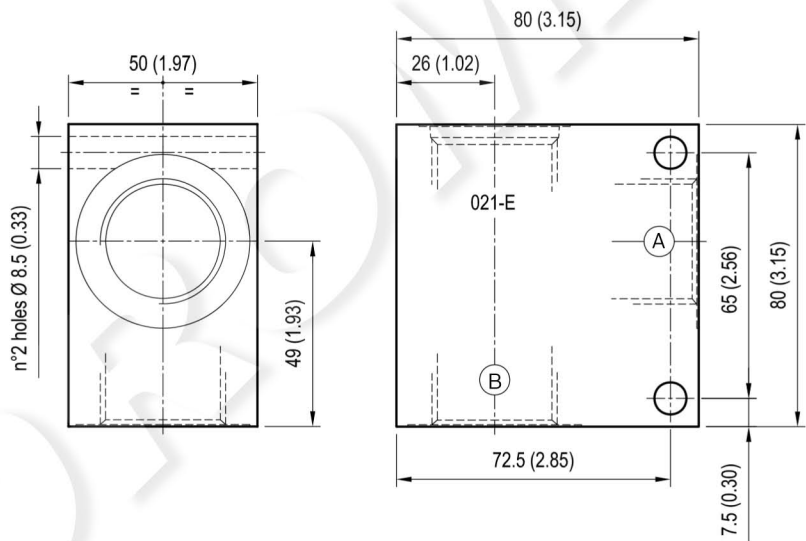
	Ordering code	Ports 1-2	Weight kg (lbs)
Aluminium	OC1009015 R901180260	G 1/2	0.32 (0.71)
	OC1009012 R900990630	G 3/4	0.30 (0.66)



[mm / Inches]

CAVITY: 021-E

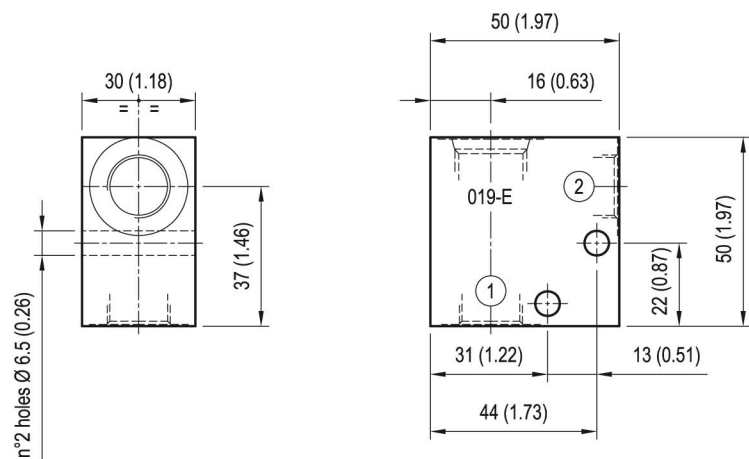
	Ordering code	Ports 1-2	Weight kg (lbs)
Aluminium	OC1009017 R934000102	G 3/4	0.68 (1.50)
	OC1009019 R900068903	G 1	0.65 (1.43)
Steel	OC1009075 R900766822	G 3/4	1.89 (4.17)
	OC1009076 R901132883	G 1	1.78 (3.92)



[mm / Inches]

CAVITY: 019-E

	Ordering code	Ports 1-2	Weight kg (lbs)
Aluminium	OC1009103 R901090812	G 1/4	0.17 (0.38)
	OC1009054 R901090792	G 3/8	0.16 (0.35)
Steel	OC1009102 R901090811	G 1/4	0.46 (1.01)
	OC1009101 R901090810	G 3/8	0.44 (0.97)



[mm / Inches]