

Part number:

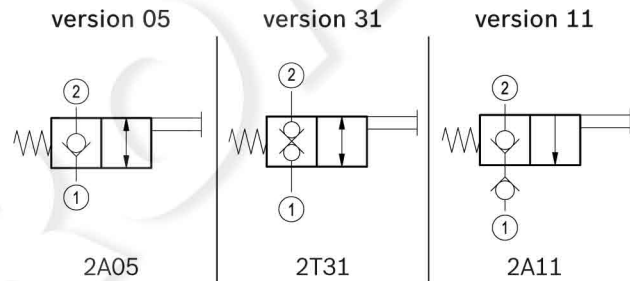
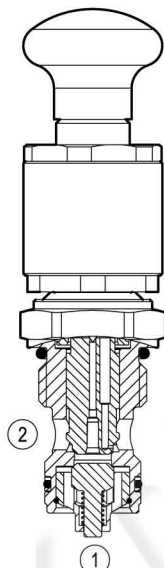
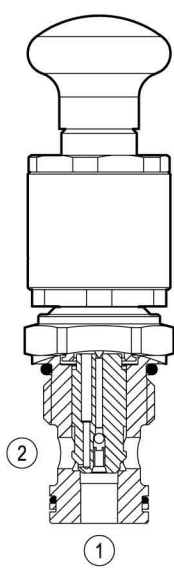
RE 18326-05/03.16 1/4  
Replaces: 18326-05/07.10

# Directional control valves manual operated poppet 2-way normally closed Special cavity, 017-E



VMI-8A-2A-09-NC

OD.55 - X - 17.37 - Z



## General

|                           |          |                        |
|---------------------------|----------|------------------------|
| Weight                    | kg (lbs) | 0.28 (0.62)            |
| Installation orientation  |          | Optional               |
| Ambient temperature range | °C (°F)  | -30 to 60 (-22 to 140) |

## Hydraulic

|                         |              |                       |
|-------------------------|--------------|-----------------------|
| Max. operating pressure | bar (psi)    | 350 (5000)            |
| Max. flow               | l/min. (gpm) | 70 (19)               |
| Max. internal leakage   | drops/min.   | 20                    |
| Fluid temperature range | °C (°F)      | -20 to 80 (-4 to 176) |

|   |                      |  |
|---|----------------------|--|
| Fluids                                    |                      | Mineral-based or synthetics with lubricating properties at viscosities of 20 to 380 mm <sup>2</sup> /s (cSt) |
| Installation torque                       | Nm (ft-lbs)          | 54-66 (40-49)  |
| Recommended degree of fluid contamination |                      | Nominal value max. 25µm (NAS 8) ISO 4406 19/17/14  |
| Special cavity                            |                      | 017-E see RE 18325-75  |
| Lines bodies and standard assemblies      |                      | Please refer to section "Hydraulic integrated circuit" or consult factory                                    |
| Seal kit - version 05                     | code<br>material no. | RG17E201052010<br>R934003562   |
| Seal kit - version 31                     | code<br>material no. | RG17E201053010<br>R934003563   |
| Other technical data                      |                      | See data sheet RE 18350-50   |

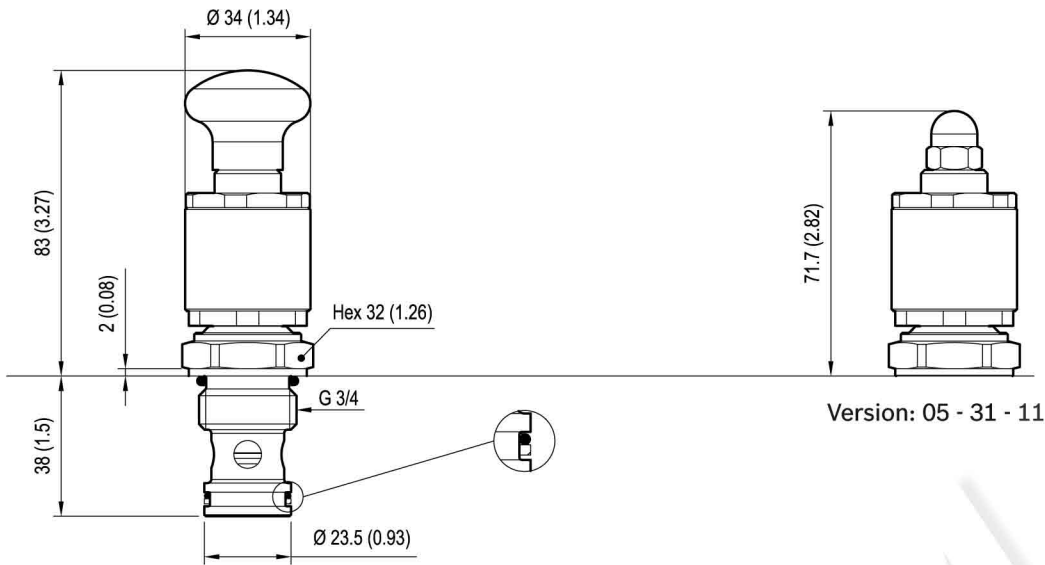
Only for cam-operated valves:

|                  |         |            |
|------------------|---------|------------|
| Operating stroke | mm (in) | 3 (0.12)   |
| Max. overstroke  | mm (in) | 0.5 (0.02) |

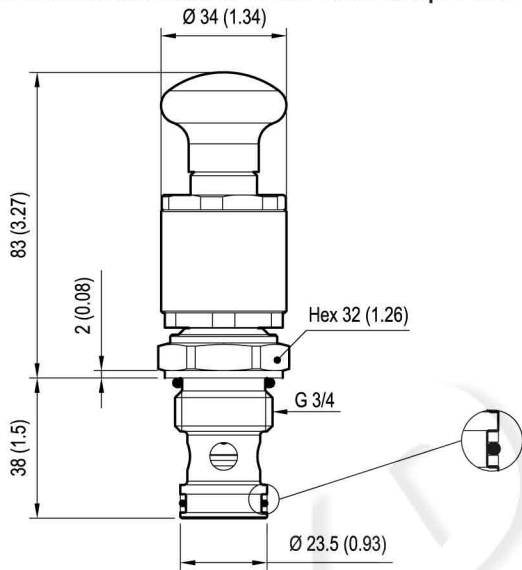
**IMPORTANT:** When valve is not operated, flow from 1 to 2 is not recommended due to high opening pressure. (version 05)

### Dimensions

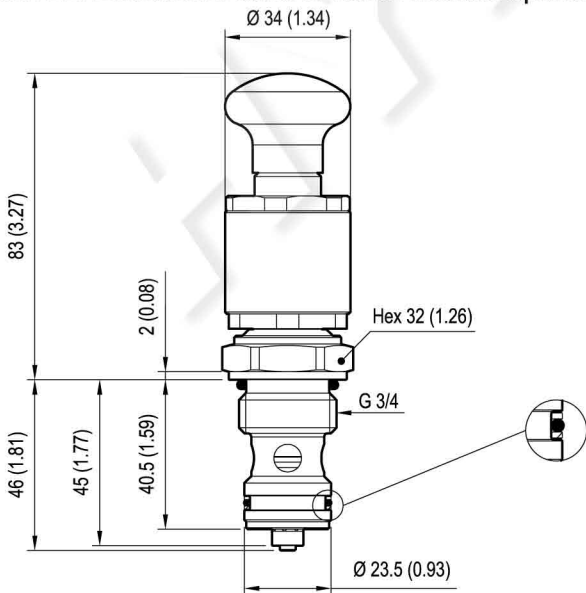
Version 05: Directional control valves manual operated poppet 2-way normally closed - Special cavity



Version 31: Directional control valves manual operated poppet 2-way double lock normally closed - Special cavity



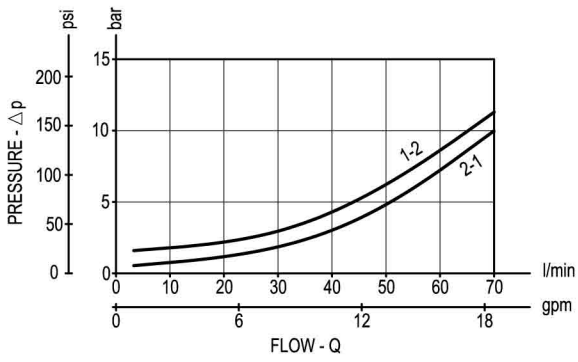
Version 11: Directional control valves manual operated poppet 2-way normally closed - Special cavity



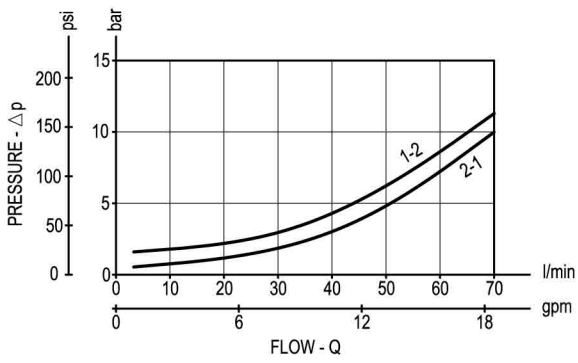
mm (Inches)

Performance graphs

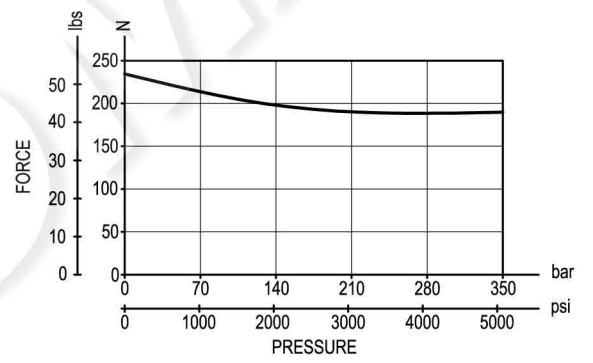
Version 05



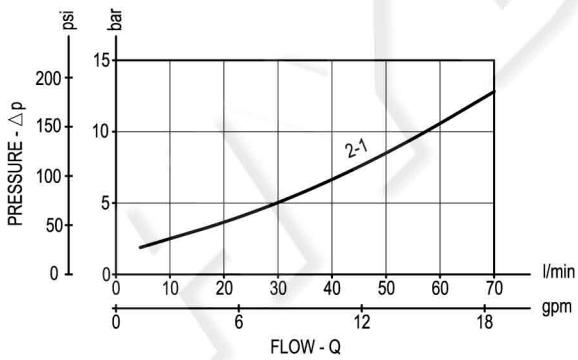
Version 31



Version 05 - 31 - 11



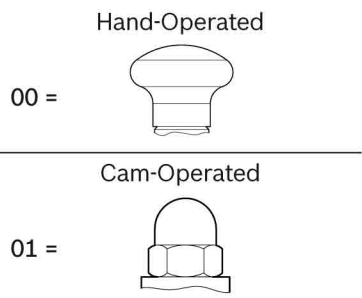
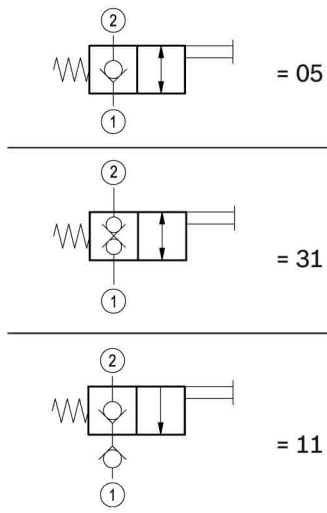
Version 11



### Ordering code

|       |   |    |    |   |
|-------|---|----|----|---|
| OD.55 | X | 17 | 37 | Z |
|-------|---|----|----|---|

Directional control valves  
manual operated poppet  
2-way normally closed



Special cavity: 017-E

**Note:** hand-operated version with detent available by request; please consult factory

| Type           | Material number | Type | Material number |
|----------------|-----------------|------|-----------------|
| OD550517370000 | R934001424      |      |                 |
| OD550517370100 | R934001425      |      |                 |
| OD553117370000 | R934001437      |      |                 |
| OD553117370100 | R934001438      |      |                 |
| OD551117370000 | R934003846      |      |                 |
| OD551117370100 | R934003671      |      |                 |
|                |                 |      |                 |
|                |                 |      |                 |
|                |                 |      |                 |