

Part number:

**HYDROMA**

HYDRAULICKÉ SYSTÉMY

**HIDROMA  
SISTEMS**

UKŁADY HYDRAULICZNE

**HYDROMA**

ГИДРАВЛИЧЕСКИЕ СИСТЕМЫ

## 4 HOLES-ISO HYDRAULIC PISTON PUMPS

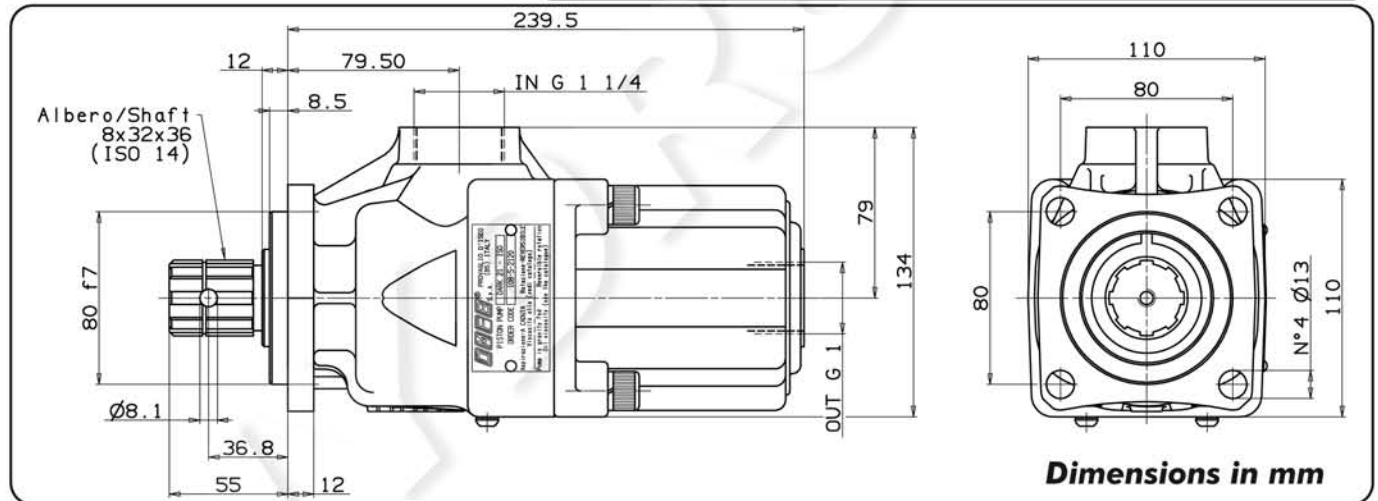
FAMILY CODE **108005**

**"DARK" ISO**

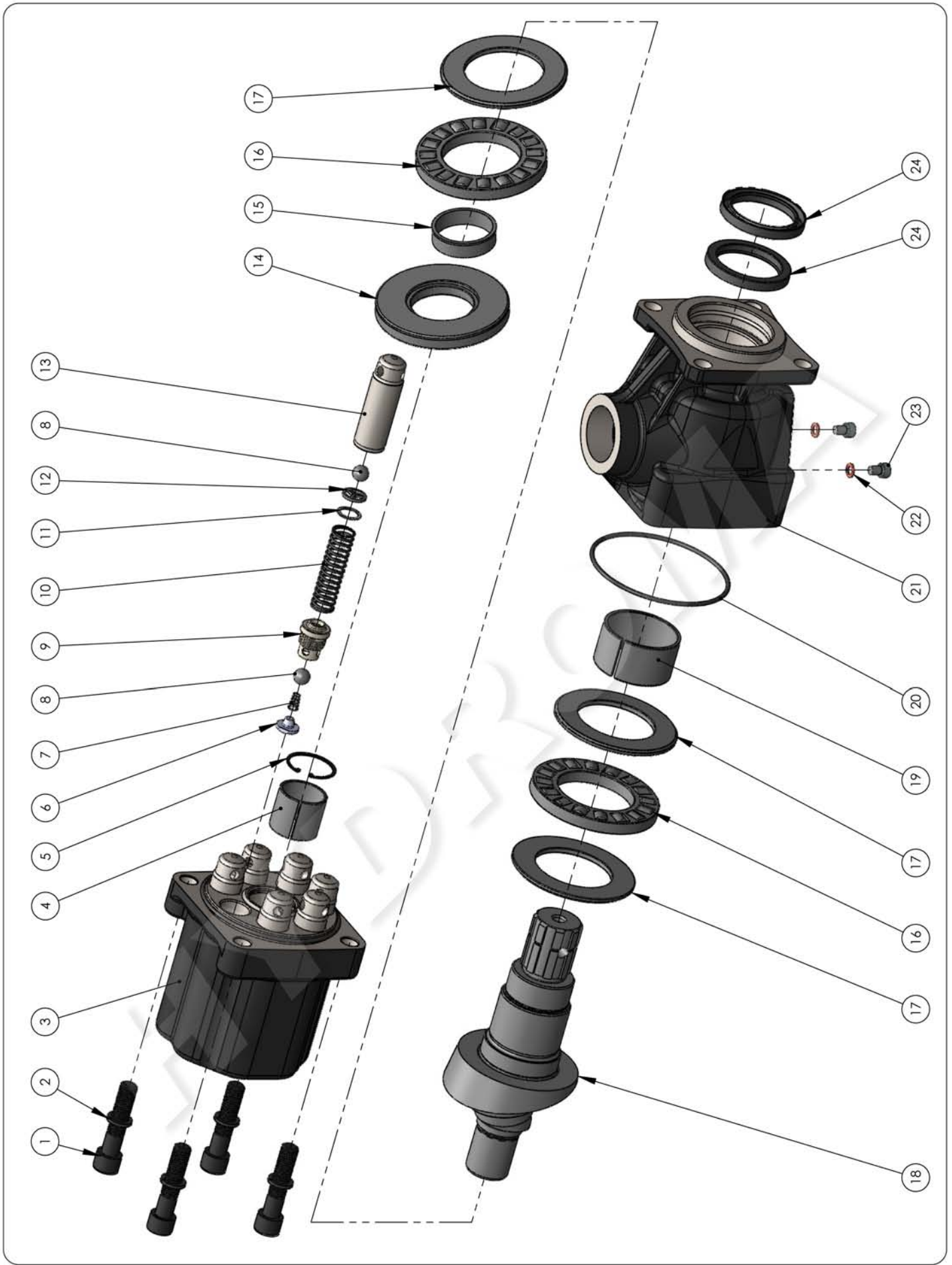


Fluid	Mineral or synthetic compatible with the following seals: NBR, FKM, FPM, Nylon				
Kinematic viscosity suggested	Average ambient temp. (°F)	< -14	-14 ÷ 50	50 ÷ 95	> 95
	VG (cSt = mm²/s)	16	22	32	46
Optimale kinematic viscosity			VG= 10 cSt ÷ 100 cSt		
Max kinematic viscosity suggested at the start-up			VG= 750 cSt		
Viscosity index suggested			VI > 100		
Oil filtering			> 2900 PSI: 10 µm < 2900 PSI: 25 µm		
Inlet pressure			1,45 ÷ 29 PSI		
Pump rotation			Unidirectional (Right or Left)		

Verify that pump is, at least, 100 mm under the minimum level of the tank.  
Before starting the pump bleed the air.



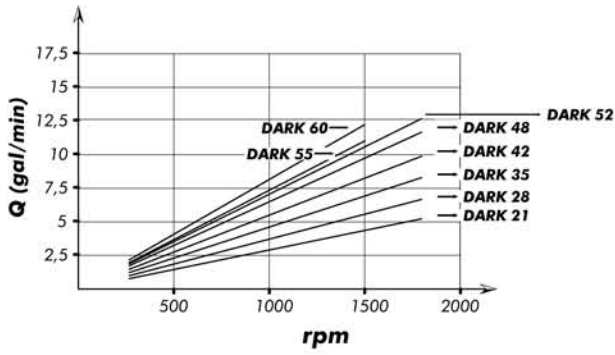
Pump type	Code	Displacement inch³/rev	Pressure		Max speed rpm	Weight lb
			Max PSI	Peak PSI		
<b>DARK-21</b>	10800502120	1,23	5076	5801	1800	31
<b>DARK-28</b>	10800502826	1,67				
<b>DARK-35</b>	10800503521	2,05				
<b>DARK-42</b>	10800504226	2,47				
<b>DARK-48</b>	10800504824	2,88				
<b>DARK-52</b>	10800505225	3,17	4351	5076	1500	30,6
<b>DARK-55</b>	10800505529	3,29				
<b>DARK-60</b>	10800505921	3,61				



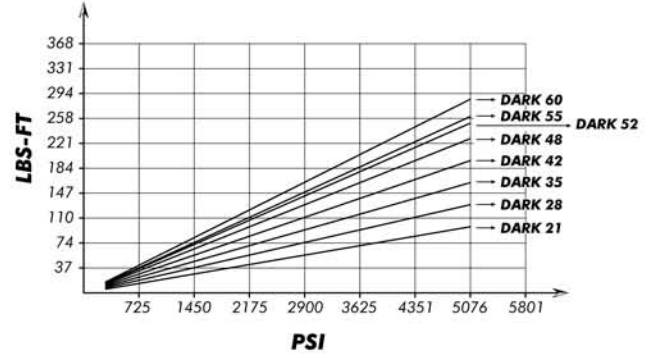
N°	21	28	35	42	48	52	55	60	P. Number	Description	Quantity
1	•	•	•	•	•	•	•	•	50200500591	Socket head capscrew	4
2	•	•	•	•	•	•	•	•	50100800063	Washer	4
3	•								51700200011	Rear body	1
		•							51700200039		
			•						51700200020		
				•					51700200100		
					•				51700200048		
						•			51700200182		
							•		51700200057		
4	•	•	•	•	•	•	•	•	51700200146	Bushing 34x30x30	1
5	•	•	•	•	•	•	•	•	53300400051	Circlip	1
6	• x3	• x4	• x5	• x6	• x7	• x7	• x8	• x8	54200100135	Spring guide body	
7	• x3	• x4	• x5	• x6	• x7	• x7	• x8	• x8	51200400153	Tapered spring	
8	• x6	• x8	• x10	• x12	• x14	• x14	• x16	• x16	51000900116	Ball 7/16"	
9	• x3	• x4	• x5	• x6	• x7	• x7	• x8	• x8	54000000149	Plug delivery valve	
10	• x3	• x4	• x5	• x6	• x7	• x7	• x8	• x8	51200500581	Back piston spring	
11	• x3	• x4	• x5	• x6	• x7	• x7	• x8	• x8	53000000159	Spacer	
12	• x3	• x4	• x5	• x6	• x7	• x7	• x8	• x8	55000100209	Spacer sprine guide	
13	• x3	• x4	• x5	• x6	• x7		• x8		53200400026	Pump piston ø21	
						• x7		• x8	53200400035	Pump piston ø22	
14	•	•	•	•	•	•	•	•	51000600379	Bearing 93x44x10.4	1
15	•	•	•	•	•	•	•	•	53300400159	Bushing 40x44x12	1
16	•	•	•	•	•	•	•	•	51000655909	Axial roller cage 92x55x11	2
17	•	•	•	•	•	•	•	•	51000600431	Bearing 88x55x4	3
18	•	•	•	•	•	•	•	•	52200500115	Shaft	1
19	•	•	•	•	•	•	•	•	53300400168	Bushing 55x50x30	1
20	•	•	•	•	•	•	•	•	50600200630	O-Ring	1
21	•	•	•	•	•	•	•	•	51700200315	Front housing	1
22	•	•	•	•	•	•	•	•	11600901022	Washer	2
23	•	•	•	•	•	•	•	•	50202000405	Socket head capscrew	2
24	•	•	•	•	•	•	•	•	50600700706	Oil seal	2



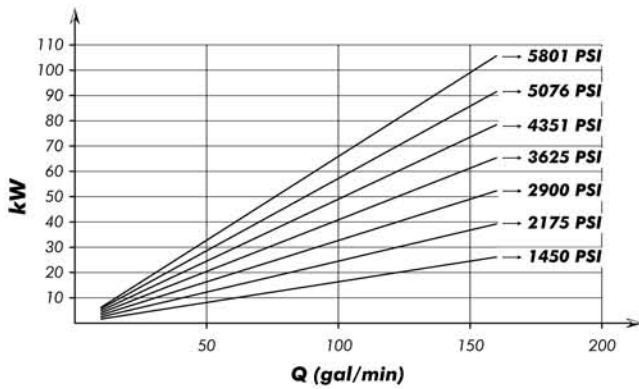
**FLOW**



**DRIVE TORQUE**



**POWER INPUT**



**Seal Kit**

**10890300027**

Codice foglio: 99710800525 Rev: AB

Rev: //

Codice fascicolo:

Data: Giovedì 4 dicembre 2008